

STRINGERS (STRH) are flexible lighting systems designed to give the creative mind a creative edge. U.L., C.S.A. listed wedge base sockets are independently wired in parallel to a 12/2 low-voltage cable. Voltage and brightness is determined by the choice of lamp and application criteria.

H-SERIES (Horizontal Sockets)

WIRING - Hand soldered parallel wired sockets on 12/2 insulated copper wire rated at 300 volts.

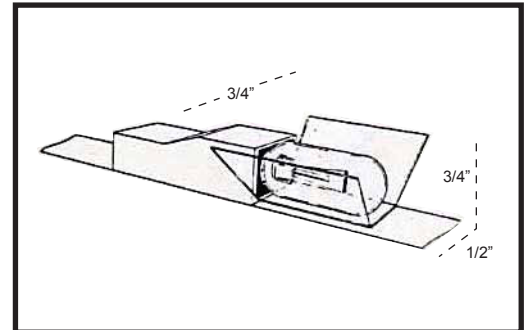
SOCKETS - Molded polycarbonate jacket with spring brass terminals rated at 42 watts. U.L., C.S.A. listed.

INSULATION - Flexible polyolefin.

REFLECTORS - Stamped aluminum coilzak.

COLOR - Black (BK) or White (WH).

LAMPS - See Lamp Chart Below.



LAMP#	DESIGN VOLTAGE	OPERATING VOLTAGE	SIZE	*AMPS	*WATTS	*LUMENS	*LIFE HOURS
161	14	12	T-3 1/4	0.17	2.04	9.43	28,000
194	14	12	T-3 1/4	0.25	3.00	18.86	17,500
168	14	12	T-3 1/4	0.32	3.84	28.00	10,000
655	28	24	T-3 1/4	0.18	4.32	22.24	26,000
657	28	24	T-3 1/4	0.07	1.68	5.84	52,000
XE125	14	12	T-3 1/4	0.34	4.08	37.5	13,000
XE245	28	24	T-3 1/4	0.20	4.80	37.5	13,000
LED3000	24	24	N/A	0.04	1.1	70+	50,000

*calculated at operating voltage.

NOTE: All lamps available frosted. Use letter "F" after lamp number.

ORDERING INFORMATION

- 1) Select "**STRH**" series, for horizontal sockets.
- 2) Choose lamp centers: 2", 3", 4", 6", 9", 12" (for even light distribution use 4" centers.)
- 3) Select lamp by using lamp numbers on chart.
- 4) Identify length.
- 5) Identify color.

EXAMPLE: Catalog number for a black 12'6" **STRINGER** with HORIZONTAL sockets, 4" center, 4 watt, #168 lamps: **STRH-4-168/12'6"-BK**