

**TFL4200** are CFL fixtures for straight runs, overlapping lamps, with integral ballast .

**WATTAGE** - Wattage combinations ranging from 13 to 50w.

**CONSTRUCTION** All fixtures are constructed of 20 gauge steel.

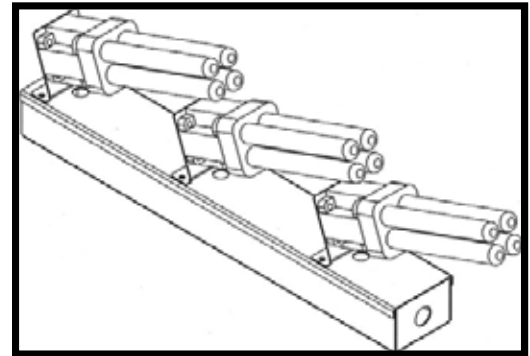
**COLOR** All fixtures are powder coated, in house, high gloss White. Special paint colors can be accommodated.

**VOLTAGE** All fixtures available in either 120 or 277 volt.  
120 part number listed. For 277, insert 277 into part number.

**UL** - All fixtures carry UL and C-UL listings.

**SPECIALTY BALLAST** Many CFL fixtures are available with emergency, dimming or universal ballasts. Contact factory for details.

**CUSTOM** - Should custom requirements be necessary please contact your local rep or call us at 888-554-8823. Our engineers and design team are eager to accommodate your special requests.



Catalog Number	Description	Lamps	Length
TFL-4200-120-113-QD	Low profile QD CFL, integral ballast, overlapping lamps	1 - F13 QD	5 15/16"
TFL-4200-120-213-QD	Low profile QD CFL, integral ballast, overlapping lamps	2 - F13 QD	12 7/16"
TFL-4200-120-313-QD	Low profile QD CFL, integral ballast, overlapping lamps	3 - F13 QD	18 15/16"
TFL-4200-120-413-QD	Low profile QD CFL, integral ballast, overlapping lamps	4 - F13 QD	25 7/16"
TFL-4200-120-118-QD	Low profile QD CFL, integral ballast, overlapping lamps	1 - F18 QD	6 9/16"
TFL-4200-120-218-QD	Low profile QD CFL, integral ballast, overlapping lamps	2 - F18 QD	13 11/16"
TFL-4200-120-318-QD	Low profile QD CFL, integral ballast, overlapping lamps	3 - F18 QD	20 13/16"
TFL-4200-120-418-QD	Low profile QD CFL, integral ballast, overlapping lamps	4 - F18 QD	27 15/16"
TFL-4200-120-126-QD	Low profile QD CFL, integral ballast, overlapping lamps	1 - F26 QD	6 9/16"
TFL-4200-120-226-QD	Low profile QD CFL, integral ballast, overlapping lamps	2 - F26 QD	13 11/16"
TFL-4200-120-326-QD	Low profile QD CFL, integral ballast, overlapping lamps	3 - F26 QD	20 13/16"
TFL-4200-120-426-QD	Low profile QD CFL, integral ballast, overlapping lamps	4 - F26 QD	27 15/16"
TFL-4200-120-118-TW	Low profile QD CFL, integral ballast, overlapping lamps	1 - F18 TW	9 7/16"
TFL-4200-120-218-TW	Low profile QD CFL, integral ballast, overlapping lamps	2 - F18 TW	19 3/8"
TFL-4200-120-318-TW	Low profile TWIN CFL, integral ballast, overlapping lamps	3 - F18 TW	29 5/16"
TFL-4200-120-418-TW	Low profile TWIN CFL, integral ballast, overlapping lamps	4 - F18 TW	39 1/4"
TFL-4200-120-124-TW	Low profile TWIN CFL, integral ballast, overlapping lamps	1 - F24 TW	13 3/16"
TFL-4200-120-224-TW	Low profile TWIN CFL, integral ballast, overlapping lamps	2 - F24 TW	26 7/8"
TFL-4200-120-324-TW	Low profile TWIN CFL, integral ballast, overlapping lamps	3 - F24 TW	40 9/16"
TFL-4200-120-424-TW	Low profile TWIN CFL, integral ballast, overlapping lamps	4 - F24 TW	54 1/4"
TFL-4200-120-136-TW	Low profile TWIN CFL, integral ballast, overlapping lamps	1 - F36 TW	16 15/16"
TFL-4200-120-236-TW	Low profile TWIN CFL, integral ballast, overlapping lamps	2 - F36 TW	34 3/8"
TFL-4200-120-336-TW	Low profile TWIN CFL, integral ballast, overlapping lamps	3 - F36 TW	51 13/16"
TFL-4200-120-436-TW	Low profile TWIN CFL, integral ballast, overlapping lamps	4 - F36 TW	69 1/4"
TFL-4200-120-140-TW	Low profile TWIN CFL, integral ballast, overlapping lamps	1 - F40 TW	23"
TFL-4200-120-240-TW	Low profile TWIN CFL, integral ballast, overlapping lamps	2 - F40 TW	46 1/2"
TFL-4200-120-340-TW	Low profile TWIN CFL, integral ballast, overlapping lamps	3 - F40 TW	70"
TFL-4200-120-440-TW	Low profile TWIN CFL, integral ballast, overlapping lamps	4 - F40TW	93 1/2"
TFL-4200-120-150-TW	Low profile TWIN CFL, integral ballast, overlapping lamps	1 - F50 TW	23"
TFL-4200-120-250-TW	Low profile TWIN CFL, integral ballast, overlapping lamps	2 - F50 TW	46 1/2"
TFL-4200-120-350-TW	Low profile TWIN CFL, integral ballast, overlapping lamps	3 - F50 TW	70"
TFL-4200-120-450-TW	Low profile TWIN CFL, integral ballast, overlapping lamps	4 - F50 TW	93 1/2"