

TFL4300 are CFL fixtures for straight runs with remote ballast.

WATTAGE - Wattage combinations ranging from 13 to 50w.

CONSTRUCTION All fixtures are constructed of 20 gauge steel.

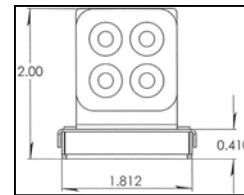
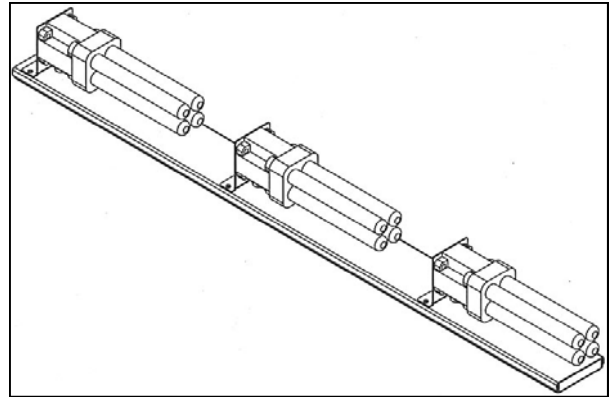
COLOR All fixtures are powder coated, in house, high gloss White. Special paint colors can be accommodated.

VOLTAGE All fixtures available in either 120 or 277 volt. 120 part number listed. For 277, insert 277 into part number.

UL - All fixtures carry UL and C-UL listings.

SPECIALTY BALLAST Many CFL fixtures are available with emergency, dimming or universal ballasts. Contact factory for details.

CUSTOM - Should custom requirements be necessary please contact your local rep or call us at 888-554-8823. Our engineers and design team are eager to accommodate your special requests.



Catalog Number	Description	Lamps	Length
TFL-4300-120-113-QD	Low profile QD CFL, integral ballast	1 - F13 QD	5 15/16"
TFL-4300-120-213-QD	Low profile QD CFL, integral ballast	2 - F13 QD	12 7/16"
TFL-4300-120-313-QD	Low profile QD CFL, integral ballast	3 - F13 QD	18 15/16"
TFL-4300-120-413-QD	Low profile QD CFL, integral ballast	4 - F13 QD	25 7/16"
TFL-4300-120-118-QD	Low profile QD CFL, integral ballast	1 - F18 QD	6 9/16"
TFL-4300-120-218-QD	Low profile QD CFL, integral ballast	2 - F18 QD	13 11/16"
TFL-4300-120-318-QD	Low profile QD CFL, integral ballast	3 - F18 QD	20 13/16"
TFL-4300-120-418-QD	Low profile QD CFL, integral ballast	4 - F18 QD	27 15/16"
TFL-4300-120-126-QD	Low profile QD CFL, integral ballast	1 - F26 QD	6 9/16"
TFL-4300-120-226-QD	Low profile QD CFL, integral ballast	2 - F26 QD	13 11/16"
TFL-4300-120-326-QD	Low profile QD CFL, integral ballast	3 - F26 QD	20 13/16"
TFL-4300-120-426-QD	Low profile QD CFL, integral ballast	4 - F26 QD	27 15/16"
TFL-4300-120-118-TW	Low profile TWIN CFL, integral ballast	1 - F18 TW	9 7/16"
TFL-4300-120-218-TW	Low profile TWIN CFL, integral ballast	2 - F18 TW	19 3/8"
TFL-4300-120-318-TW	Low profile TWIN CFL, integral ballast	3 - F18 TW	29 5/16"
TFL-4300-120-418-TW	Low profile TWIN CFL, integral ballast	4 - F18 TW	39 1/4"
TFL-4300-120-124-TW	Low profile TWIN CFL, integral ballast	1 - F24 TW	13 3/16"
TFL-4300-120-224-TW	Low profile TWIN CFL, integral ballast	2 - F24 TW	26 7/8"
TFL-4300-120-324-TW	Low profile TWIN CFL, integral ballast	3 - F24 TW	40 9/16"
TFL-4300-120-424-TW	Low profile TWIN CFL, integral ballast	4 - F24 TW	54 1/4"
TFL-4300-120-136-TW	Low profile TWIN CFL, integral ballast	1 - F36 TW	16 15/16"
TFL-4300-120-236-TW	Low profile TWIN CFL, integral ballast	2 - F36 TW	34 3/8"
TFL-4300-120-336-TW	Low profile TWIN CFL, integral ballast	3 - F36 TW	51 13/16"
TFL-4300-120-436-TW	Low profile TWIN CFL, integral ballast	4 - F36 TW	69 1/4"
TFL-4300-120-140-TW	Low profile TWIN CFL, integral ballast	1 - F40 TW	23"
TFL-4300-120-240-TW	Low profile TWIN CFL, integral ballast	2 - F40 TW	46 1/2"
TFL-4300-120-340-TW	Low profile TWIN CFL, integral ballast	3 - F40 TW	70"
TFL-4300-120-440-TW	Low profile TWIN CFL, integral ballast	4 - F40TW	93 1/2"
TFL-4300-120-150-TW	Low profile TWIN CFL, integral ballast	1 - F50 TW	23"
TFL-4300-120-250-TW	Low profile TWIN CFL, integral ballast	2 - F50 TW	46 1/2"
TFL-4300-120-350-TW	Low profile TWIN CFL, integral ballast	3 - F50 TW	70"
TFL-4300-120-450-TW	Low profile TWIN CFL, integral ballast	4 - F50TW	93 1/2"