

**TFL4600** are CFL fixtures for curved runs, over-lapping lamps with integral ballast. A true innovation in architectural lighting; The Wedge™, is a new design by Tube Lighting Products which delivers ZERO socket shadow. Easy to install field curveable units won't compromise shadow free design. 100% designed and manufactured in the U.S.A.

**WATTAGE** - Wattage combinations ranging from 13 to 50w.

**CONSTRUCTION** All fixtures are constructed of 20 gauge steel.

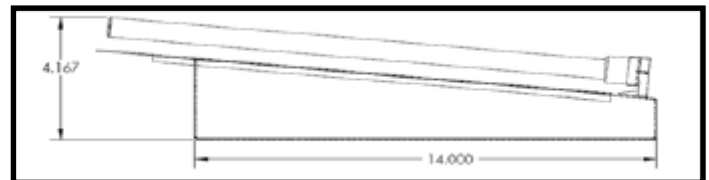
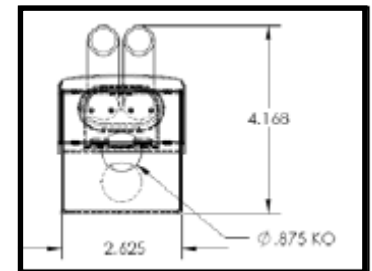
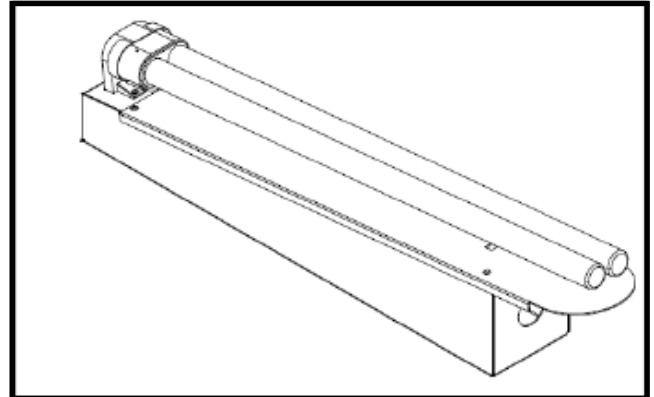
**COLOR** All fixtures are powder coated, in house, high gloss White. Special paint colors can be accommodated.

**VOLTAGE** All fixtures available in either 120 or 277 volt. 120 part number listed. For 277, insert 277 into part number.

**UL** - All fixtures carry UL and C-UL listings.

**SPECIALTY BALLAST** Many CFL fixtures are available with emergency, dimming or universal ballasts. Contact factory for details.

**CUSTOM** - Should custom requirements be necessary please contact your local rep or call us at 888-554-8823. Our engineers and design team are eager to accommodate your special requests.



Catalog Number	Description	Lamps	Length
TFL-4600-120-113 QD	Low profile QD CFL, integral ballast, curving	1 - F13 QD	5 15/16"
TFL-4600-120-118-QD	Low profile QD CFL, integral ballast, curving	1 -F18 QD	6 9/16"
TFL-4600-120-126-QD	Low profile QD CFL, integral ballast, curving	1 - F26 QD	6 9/16"
TFL-4600-120-118-TW	Low profile TWIN CFL, integral ballast, curving	1 - F18 TW	9 7/16"
TFL-4600-120-124-TW	Low profile TWIN CFL, integral ballast, curving	1 - F24 TW	13 3/16"
TFL-4600-120-136-TW	Low profile TWIN CFL, integral ballast, curving	1 - F36 TW	16 15/16"
TFL-4600-120-140-TW	Low profile TWIN CFL, integral ballast, curving	1 - F40 TW	23"
TFL-4600-120-150-TW	Low profile TWIN CFL, integral ballast, curving	1 - F50 TW	23"