

TFL8200 are T8 two lamp fixtures with integral ballast.

WATTAGE - Wattage combinations ranging from 13 to 40 watt.

CONSTRUCTION All fixtures are constructed of 20 gauge steel.

COLOR All fixtures are powder coated, in house, high gloss White. Special paint colors can be accommodated.

VOLTAGE All fixtures available in either 120 or 277 volt. 120 part number listed. For 277, insert 277 into part number.

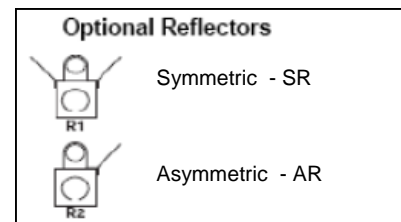
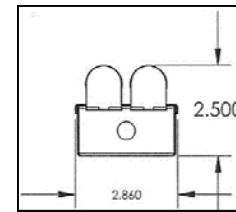
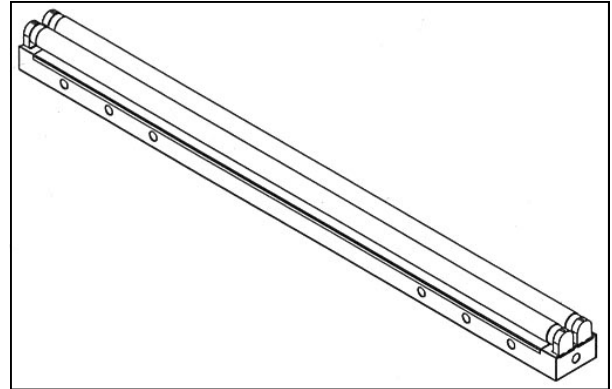
REFLECTORS Symmetric (add SR) and Asymmetric reflectors (add AR) are available for all fixtures and are manufactured to specification using high reflectance Alzak material.

MOUNTING All TFL 8200 fixtures have multiple side knockouts for telescoping option.

UL - All fixtures carry UL and C-UL listings.

SPECIALTY BALLAST Many T8 fixtures are available with emergency, dimming or universal ballasts. Contact factory for details.

CUSTOM - Should custom requirements be necessary please contact your local rep or call us at 888-554-8823. Our engineers and design team are eager to accommodate your special requests.



ORDERING INFORMATION



Catalog Number	Description	Lamps	Length	Dimmable
TFL-8200-120-213-T8	Low profile, 2 lamp T8 strip, integral ballast	2 - 13W T8	12 11/16"	NO
TFL-8200-120-214-T8	Low profile, 2 lamp T8 strip, integral ballast	2 - 14W T8	15 11/16"	NO
TFL-8200-120-216-T8	Low profile, 2 lamp T8 strip, integral ballast	2 - 16W T8	18 11/16"	NO
TFL-8200-120-217-T8	Low profile, 2 lamp T8 strip, integral ballast	2 - 17W T8	24 11/16"	YES
TFL-8200-120-225-T8	Low profile, 2 lamp T8 strip, integral ballast	2 - 25W T8	36 11/16"	YES
TFL-8200-120-232-T8	Low profile, 2 lamp T8 strip, integral ballast	2 - 32W T8	48 11/16"	YES
TFL-8200-120-240-T8	Low profile, 2 lamp T8 strip, integral ballast	2 - 40W T8	60 6/8"	NO