

DISPLAYLIGHTS (SRF) ARE LOW-PROFILE, DIMMABLE LENSED FIXTURES UTILIZING OUR FLEXIBLE “Stringer” series as the lighting element. These shallow 1” units are perfect for shelves, under cabinets, sneeze shields, kiosks and display cabinets. Voltage and brightness is determined by choice of lamp and application criteria. Maximum light from minimum profile. U.L. listed.

HOUSING - 20G steel.

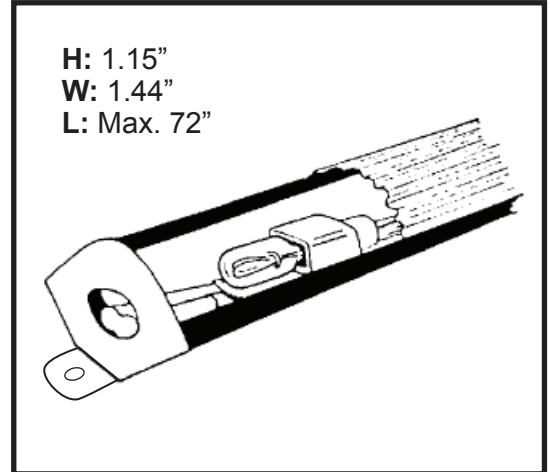
LENS - Available in frosted (FR). Flammability rating UL-94V2.

WIRING - Hand-soldered parallel-wired sockets on 12/2 insulated copper wire rated at 300 volts spaced at 4” intervals.

SOCKETS - Molded poly carbonate jacket with spring brass terminals rated at 42 watts. U.L., C.S.A. listed.

COLOR - Black (BK) or White (WH) polyurethane finish. Custom colors upon request.

LAMPS - See Lamp Chart Below.



LAMP#	DESIGN VOLTAGE	OPERATING VOLTAGE	SIZE	AMPS	WATTS	LUMENS	LIFE HOURS
161	14			0.17	2.04	9.43	28,000
194	14	12	T-3 1/4	0.25	3.00	18.86	17,500
168	14	12	T-3 1/4	0.32	3.84	28.00	10,000
655	28	24	T-3 1/4	0.18	4.32	22.24	26,000
657	28	24	T-3 1/4	0.07	1.68	5.84	52,000
XE125	14	12	T-3 1/4	0.34	4.08	37.5	13,000
XE245	28	24	T-3 1/4	0.20	4.80	37.5	13,000

ORDERING INFORMATION

- 1) Select “SRF” series. All **DISPLAYLIGHTS** are **SRF** series.
- 2) Choose lamp centers: 3”, 4”, 5”, 6”, etc.
- 3) Select lamp by using lamp numbers on chart.
- 4) Choose body color Black (BK) or White (WH).
- 5) Insert lens color. FROSTED (FR)
- 6) Identify length in inches. Fractions are acceptable. Maximum 72”.

EXAMPLE: Catalog number for a black 36” **DISPLAYLIGHT** with 4” center 12-volt xenon lamps and frosted lens: **SRF-4-XE125-BK-FR/36”**